

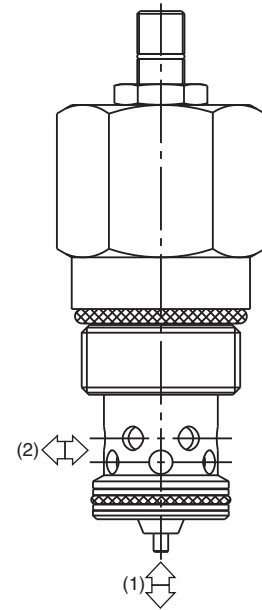
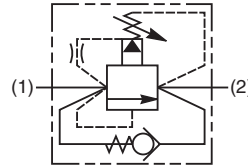
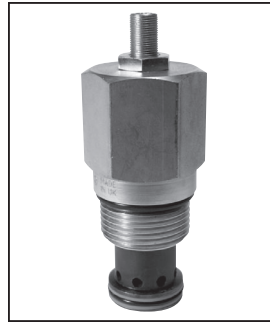
- CV Check Valves
- SH Shuttle Valves
- LM Load/Motor Controls
- FC Flow Controls
- PC Pressure Controls
- LE Logic Elements
- DC Directional Controls
- SV Solenoid Valves
- PV Proportional Valves
- CE Coils & Electronics
- BC Bodies & Cavities
- TD Technical Data

General Description

Pilot Operated, Poppet-Type Relief Valve with Free Reverse Check. For additional information see Technical Tips on pages PC1-PC4.

Features

- High flow capacity
- Virtually leak free, can be used for load holding applications
- Compact space saving design
- Hardened working parts for maximum durability
- Adjustable and tamperproof versions available
- All external parts zinc plated



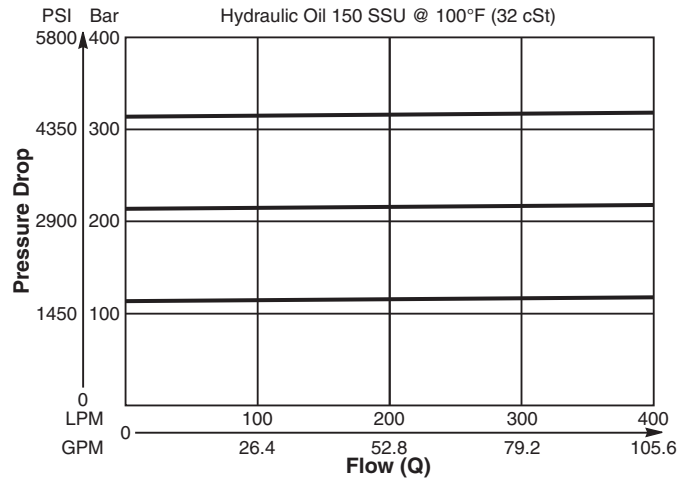
Specifications

Rated Flow	400 LPM (106 GPM)
Maximum Inlet Pressure	420 Bar (6000 PSI)
Maximum Pressure Setting	10-420 Bar (145-6000 PSI)
Sensitivity: Pressure/Turn	53 Bar (768 PSI)
Maximum Tank Pressure	420 Bar (6000 PSI)
Leakage at 150 SSU (32 cSt)	5 drops/min. @ 100 Bar (1450 PSI)
Cartridge Material	All parts steel. All operating parts hardened steel.
Fluid Compatibility/ Viscosity	Mineral-based or synthetic with lubricating properties at viscosities of 45 to 2000 SSU (6 to 420 cSt)
Filtration	ISO-4406 18/16/13, SAE Class 4
Approx. Weight	0.57 kg (1.26 lbs.)
Cavity	C16-2 (See BC Section for more details)
Form Tool	Rougher Finisher None NFT16-2F

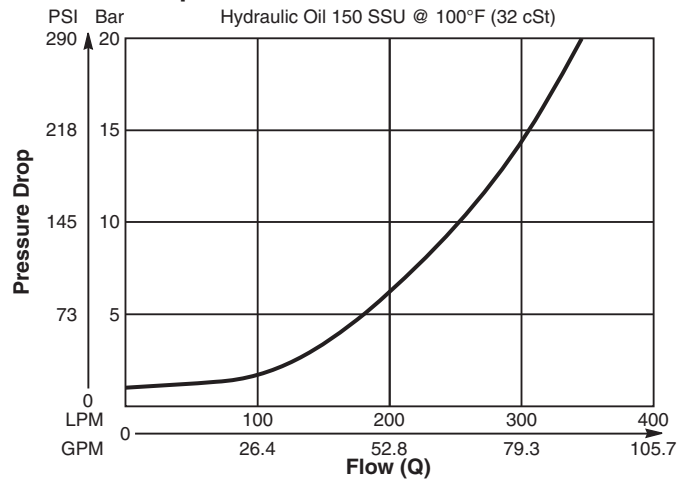
Performance Curves

(Pressure rise through cartridge only)

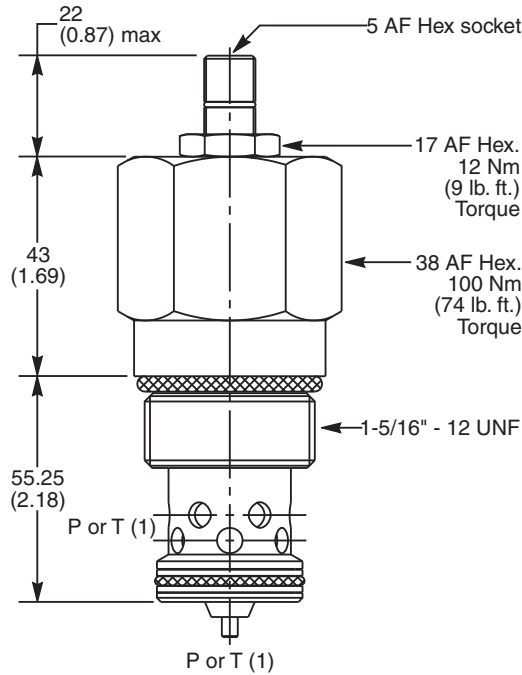
Relief Performance 1 to 2



Pressure Drop vs. Flow 2 to 1



Dimensions Millimeters (Inches)



Ordering Information

A06P2	P	Z	N
16 Size Pilot Operated Relief Valve	Pressure Adjustment Range	Adjustment Style	Seals

Code	Pressure Adjustment Range
P	10 - 420 Bar (145 - 6000 PSI)

Standard Pressure Setting
A06P2P Standard Setting: 200 Bar (2900 PSI) @ 20 LPM (5.3 GPM)

Order Bodies Separately
 See section BC

B16	—	2	—	16B
16 Size		2-Way Cavity		Port Size

Code	Adjustment Style
Z	Screw Adjust

Valves are supplied at Standard setting.
 Other settings are available, please contact Parker Sales.

Port Size
1" BSP

Body Material
Steel

Code	Seals / Kit No.	Operating Temp.
N	Nitrile, Buna-N / (SK30507N-1)	-34°C to +121°C (-30°F to +250°F)

- CV** Check Valves
- SH** Shuttle Valves
- LM** Load/Motor Controls
- FC** Flow Controls
- PC** Pressure Controls
- LE** Logic Elements
- DC** Directional Controls
- SV** Solenoid Valves
- PV** Proportional Valves
- CE** Coils & Electronics
- BC** Bodies & Cavities
- TD** Technical Data